

REINMEER

www.reinmeer.com



**DIGITAL PRESSURE
TRANSMITTER 4-20MA
PRESSURE SENSOR TRANSDUCER
WITH LCD DIGITAL DISPLAY**

RM-P02

[Data sheet](#)

Power Supply: 12-30VDC,
Pressure Range: 0-145PSI



Fingerprint Indicator Pressure Transmitter

MODEL RM-P02

REINMEER

Data sheet Model RM-P02

Application Areas

Water & Salt Water Networks
Food Production & Transfer Lines
Alcohol & Beverage Measurement
Chemical Fluids & Solvents
Fuel Transfer & Consumption Monitoring
Industrial Automation Integration (PLC/SCADA)
Pressurized Tank Level Measurement
Steam & Hot Water Boiler Systems
Filter Clogging & Maintenance Monitoring
HVAC & Clean Room Pressurization
Oil & Gas Pipeline Monitoring
Hydraulic & Pneumatic System Control

Features

- Integral 4-digit display, bright red LED
- Digit height 9mm
- 4~20mA current loop output signal
- Pressure and vacuum options
- Vast pressure measurement range
- Wide application scope and long service life
- High accuracy and long-term stability
- Good anti-corrosion and anti-impact ability
- Available ranges from -1 to +100 bar
- IP65 rated

Description

RM-P02 serisi 4~20 mA çıkışlı, yüksek hassasiyetli ve düşük maliyetli seramik* basınç transmitterleri, çoğu endüstriyel uygulamada kullanım için tasarlanmış olup birçok basınç ortamının ölçümüne uygundur. Transmitterler, her biri 9 mm yüksekliğinde rakamlara sahip, entegre parlak kırmızı 4 haneli LED gösterge ile donatılmıştır.

Cihazlar, yüksek kaliteli kalın film seramik* sensör ve özel yükseltici (amplifikatör) devre içermektedir. Çıkış sinyali 4~20 mA akım döngüsü olarak yapılandırılmıştır. Basınç diyaframı seramik* malzemeden üretilmiş olup, akışkanla temas eden parçalar 316L paslanmaz çeliktir. Seramiğin yüksek termal kararlılığı ve kalın film direnci sayesinde transmitter daha geniş bir sıcaklık aralığında çalışabilir. Aynı zamanda bu özellik, tüm çalışma sıcaklığı aralığı boyunca sıfır noktası ve hassasiyet kaynaklı termal sapmaların çok düşük olmasını sağlar.

* -1...+0 bar ölçüm aralığı için silikon basınç elemanı kullanılacaktır.



Structure



Pressure Range (BAR)	Min. -1 / Max. 2000
Overload (BAR)	F.S × 2

TECHNICAL FEATURES

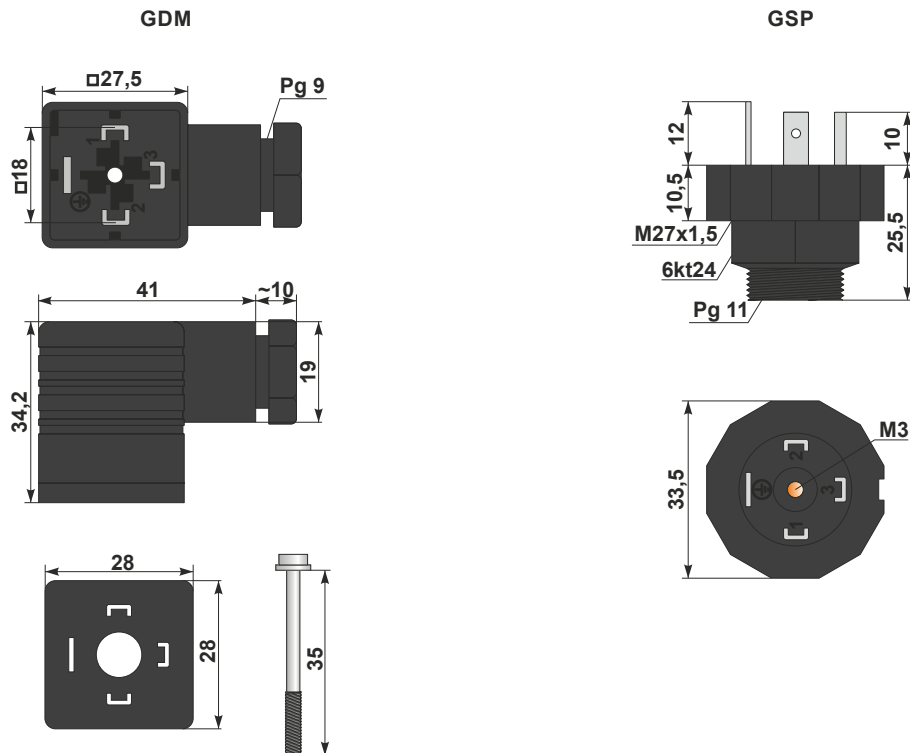
Working Principle	Measuring Principle	Piezoresistive Measuring Cell
Inputs	Measurement Variables	Relative and Absolute Pressure
	Measuring Range	Max. 2000 BAR
Outputs	Current Output	4-20 mA / 4-20 mA + HART / Optional 0-10 V (U = 10 V) / 0.02 A
	Load	(U-10 V) / 0,02 A
Precision	Accuracy	Full Scale ≤ %0,2
	Zero Point	±0,2 mV/V
Temperature Effect	Zero	±0,02 % TS/K
Operating Conditions	Operating Temperature	-40° ~ 135°C
	Ambient Temperature	-25° ~ 85°C
	Protection Class	IP65
Power Supply	Power Supply Voltage	10...36 VDC
Materials	Sensor	Stainless Steel 316L, Ceramic
	Process Connection	Stainless Steel 316L, Hastelloy C, other materials
	O-Ring	Viton
	Outer Box	Stainless Steel 316L
	Terminal	Plastic
Process Connections		G1/4", G1/2", G1/2" flush, Clamp, Flange, etc.
Size and Weight	Weight	Approximately 0.25 kg
	Size	Ø 27 × 112 mm

Fingerprint Indicator Pressure Transmitter

MODEL RM-P02

Connector Structure

DIN43560 Connector



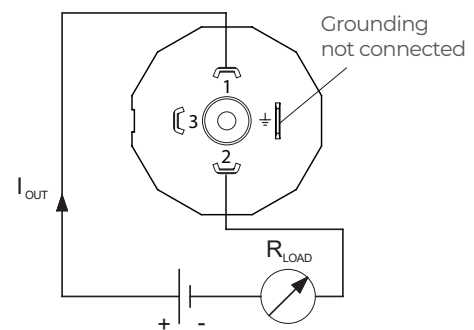
Electrical connection

0-5VDC or 1-5VDC Connections (3-wire)

Pin No	Signal
1	+VDC Supply
2	GND
3	0..5VDC / 1..5VDC Analog Output

4-20mA Connections (2-wire)

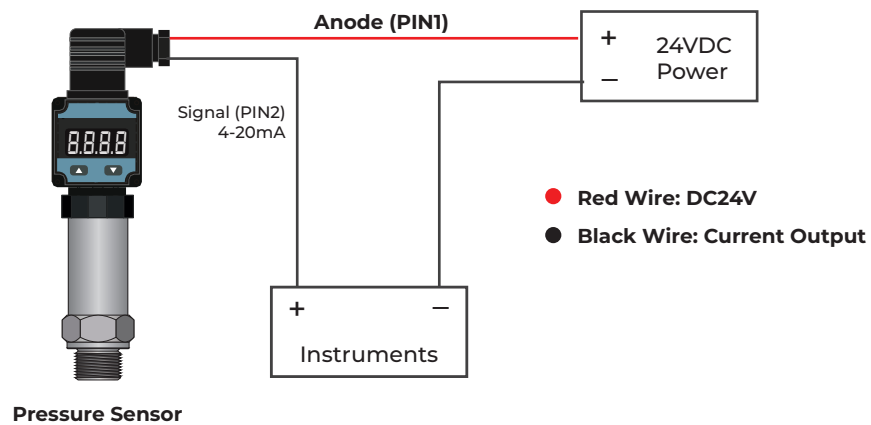
Pin No	Signal
1	+VDC Supply
2	4..20mA Analog Output



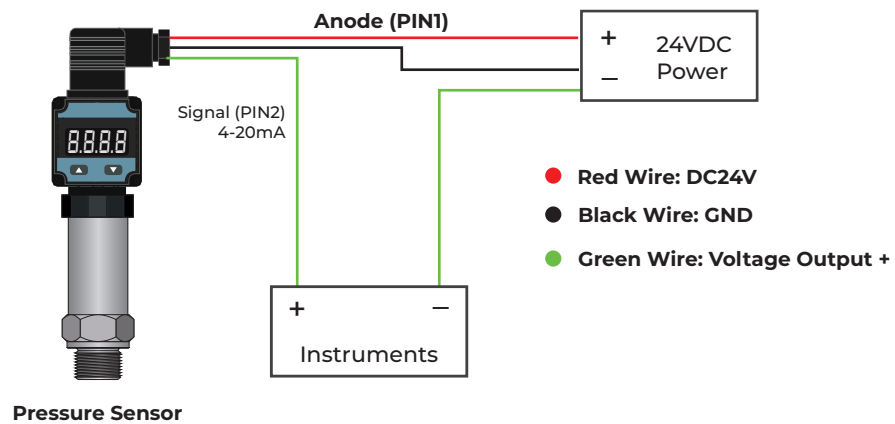
DIN43560 Connector

Wiring Guidance

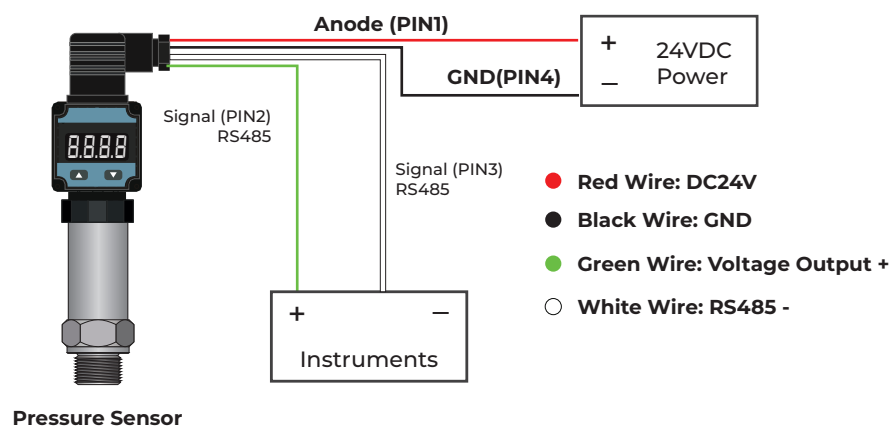
2-Wire Current Output Wiring Diagram



3-Wire Voltage Output Wiring Diagram



4-Wire RS485 Communication Wiring Diagram



Fingerprint Indicator Pressure Transmitter

MODEL RM-P02

REINMEER

Data sheet Model RM-P02

RM-P02 / - - - - - -

1
2
3
4
5
6
7

1 Model

Economical Pressure Transmitter with Ceramic Sensor	<input checked="" type="checkbox"/>	RM-P02
---	-------------------------------------	---------------

2 Pressure Range

-1...0 Bar Vacuum and Compound	<input checked="" type="checkbox"/>	V1B
-1...+1 Bar		C01B
-1...+10 Bar		C10B
0...1 Bar Positive Pressure		01B
0...1.6 Bar		1.6B
0...2.5 Bar		2.5B
0...4 Bar		04B
0...6 Bar		06B
0...10 Bar		10B
0...16 Bar		16B
0...25 Bar		25B
0...40 Bar		40B
0...60 Bar		60B
0...100 Bar		100B
0...160 Bar		160B
0...250 Bar		250B
0...400 Bar		400B
0...600 Bar		600B
Özel Belirtiniz (Örn: 0-35 Bar veya PSI birimi) other		XXX

3 Pressure Type

Gauge (Relative/Atmospheric) - Standard	<input checked="" type="checkbox"/>	G
Absolute	<input type="checkbox"/>	A
Sealed Gauge	<input type="checkbox"/>	S

4 Output Signal

4-20mA (2-wire) - Standard	<input checked="" type="checkbox"/>	A1
0-10V DC (3-wire)	<input type="checkbox"/>	V1
0-5V DC (3-wire)	<input type="checkbox"/>	V2
1-5V DC (3-wire)	<input type="checkbox"/>	V3
0.5-4.5V DC Ratiometric (3-wire, 5V supply)	<input type="checkbox"/>	R1

5 Output Signal

% 0.5 F.S - StandartAbsolute	<input checked="" type="checkbox"/>	S
0.25% F.S (High Accuracy)	<input type="checkbox"/>	H

6 Process Connection

G 1/4" Male - Standard	<input checked="" type="checkbox"/>	P1
NPT 1/4" Male	<input type="checkbox"/>	P2
R 1/4" Male (BSPT)	<input type="checkbox"/>	P3
M20x1.5 Male	<input type="checkbox"/>	P4
Specify your needs.	<input type="checkbox"/>	PZ

7 Electrical Connection

DIN43650A Socket (Large Type) - Standard	<input checked="" type="checkbox"/>	E1
M12x1 Connector (4 Pin)	<input type="checkbox"/>	E2
Direct Cable Output (Standard 1 meter)	<input type="checkbox"/>	E3

Contact us

Address :

Reinmeer Office Address
Eutiner Str.12,22143
Hamburg, Germany
reinmeer@reinmeer.com